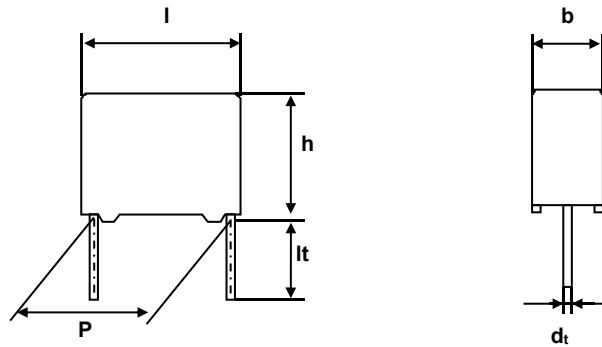


Capacitor as PCX2 347.....

acc. to Type spec. QSN-075-61



$$dt = 0.8+0.08/-0.05\text{mm}$$

Voltage V~	Cap. μF	Code		Dimensions b x h x l mm	P mm	Lt mm
		PCX2 347	C-tol.			
310	0.47	S00014	$\pm 10\%$	11.0 x 18.5 x 18.0	15.0 ± 0.4	25.0 ± 2.0

SAME AS PCX2 347F35474

< BUT >

- Automotive

- Packing Method (Loose in box):

Packing method	SPQ	PQ
8242 450 40029	1000 (8242 451 30241)	4000 (8242 451 30331)

박 주 영		MKT			PCX2 347S00014		15-02-16	
김 세 지		RADIAL POTTED CAPACITORS						
		(1.0사전자)						
			15-02-16	1	190-1	010	QS	A4
QS	박범학	(C) PILKOR ELECTRONICS CO., LTD. 2015						

For part lists see PCX2 347F35474

Include :

Delete :

- Cell code :

. 4342 491 S0026 (for PCX2 347S00014)

For manufacturing instruction see PCX2 347F35474 However :

< BUT >

- Automotive

박 주 영		MKT					15-02-13	
김 세 지		RADIAL POTTED CAPACITORS			PCX2 347S00014			
		(C사전)						
			15-02-13	1	260-1	010	QS	A4
QS	박범학	(C) PILKOR ELECTRONICS CO., LTD. 2015						